

## Features

- Bask® heated surface creates spa-like relaxation with soothing warmth on your back, shoulders, and neck.
- Three heat settings allow you to customize the surface temperature.
- 120 airjets release thousands of heated bubbles that surround and support the body in a warm massage.
- Variable-speed blower lets you adjust massage intensity to 18 levels.
- Heated BubbleMassage™ includes 60-minute automatic shutoff timer.
- Two separate electronic keypad controls for Heated BubbleMassage™ and Bask®.
- Hourglass shape adds style and elegance to your bathroom.
- Textured bottom surface.
- Automatic and manual purge cycles remove residual water from air channels after use.
- Bask® heated surface creates spa-like relaxation with soothing warmth on your back, shoulders, and neck.

## Material

- Acrylic.

## Technology

- Heated BubbleMassage™ technology warms and humidifies air before it enters the bath.

## Installation

- Reversible drain.

## Recommended Products/Accessories

- K-1234 Removable Apron
- K-1446 Remote Installation Kit
- K-1491 Bath/Whirlpool Pillow
- K-1601 Bath/whirlpool footstop, removable
- K-7166-AF Bath Drain
- K-24916 Wireless Music Kit
- K-23726 Drain treatment
- K-23732 Tub & shower cleaner



## Codes/Standards

ASME A112.19.7/CSA B45.10  
 CSA B45.5/IAPMO Z124  
 ASTM E162  
 ASTM E662  
 UL 1795




## KOHLER® Hydrotherapy Components Five-Year Limited Warranty KOHLER® Plastic Baths and Receptors Lifetime Limited Warranty

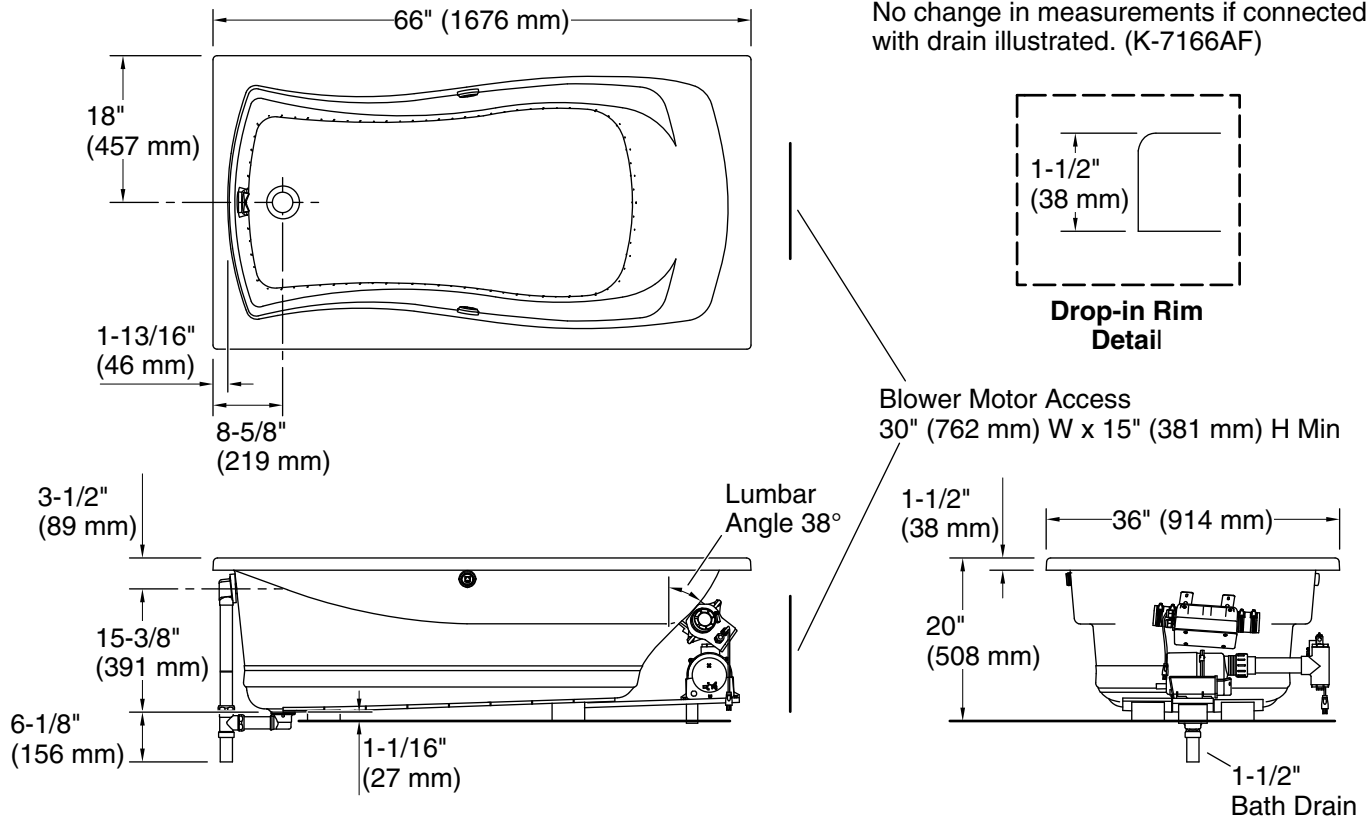
See website for detailed warranty information.

## Available Colors/Finishes

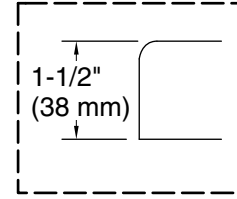
*Color tiles intended for reference only.*

### Color Code Description

Color	Code	Description
	0	White
	96	Biscuit
	NY	Dune

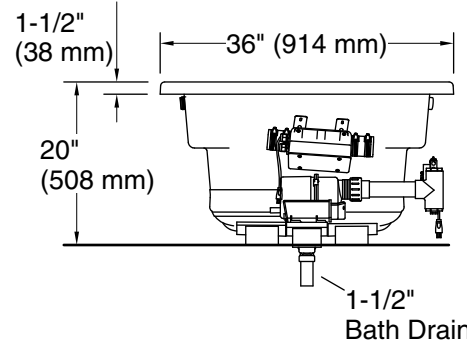


No change in measurements if connected with drain illustrated. (K-7166AF)



**Drop-in Rim Detail**

**Blower Motor Access**  
30" (762 mm) W x 15" (381 mm) H Min



**1-1/2" Bath Drain**

### Required Electrical Service

Two dedicated circuits required, protected with Class A Ground-Fault Circuit-Interrupter (GFCI). Outside North America, this device may be known as a Residual Current Device (RCD).

Blower, Heated 120 V, 15 A, 60 Hz

Surface:

Air bath: 120 V, 15 A

### Technical Information

All product dimensions are nominal.

Installation: Drop-in

Drain location: End

Basin area, bottom: 47-1/8" x 19-11/16" (1196 mm x 500 mm)

Basin area, top: 61-7/16" x 26" (1561 mm x 660 mm)

Weight: 112 lbs (50.8 kg)

Minimum floor load: 56 lbs/ft² (273.4 kg/m²)

Water depth: 13-11/16" (347 mm)

Water capacity: 67 gal (253.6 L)

Cutout: Drop-in, 64" x 34" (1626 mm x 864 mm)

Electrical component rating: Blower: 120 V, 10 A, 60 Hz

Heated Surface: 120 V, 0.5 A, 60 Hz, 65 W

### Notes

Measure your actual product for rough-in details.

Install this product according to the installation instructions.

The hot water supply should be 70% of the capacity of the bath or greater. Installations will vary.

Remote blower installation kit K-1446 is available for relocating the blower. Provide access for servicing the blower.

Do not relocate or alter the PVC tee or coiled flexible tubing connected to the blower. Follow the blower relocation instructions exactly.